

ECP – for non-armoured round cables

Technical specifications

IP68



Suitable for the following cable types



Non-armoured cable

Cable with insulated conductors, with no layer of mechanical (metallic) protection.

Certifications

EN 62444

Continuous operating temperature

-5 °C to +70 °C

PVC (sealing ring) hardening temperature

-20 °C

Colour

Grey RAL 7035

Material

Polyamide

ISO (metric) threadforms

ISO-NF EN 60423 and EN 62444

Pg electrical threadforms

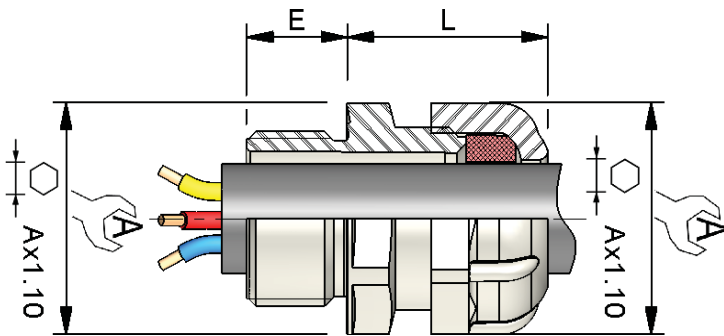
UTE C 68-311 – DIN 40430



Perfectly adapted to industrial environments

- The ECP cable gland seals the outer sheath of non-armoured cables
- Operculated PVC coloured plasticized sealing ring
- IP68: 5 bars without sealing washer provided that the bearing area is satisfactory

Dimensions



* For 'across corners' dimensions, multiply 'across flats' dimensions by 1.1

Our range of versatile plastic industrial cable glands ECP allows the connection of non-armoured cables. It is provided with ISO or Pg threads.

The PVC sealing ring achieves both an IP68 tightness on the outer sheath of the cable as well as a perfect tensile strength.

In addition, the colour of the sealing ring is different according to the size of the cable gland which allows quick and easy identification.

With an operating temperature range of -5°C to +70°C, the ECP range fully meets the current needs for cable entries management in industrial environments.

Ordering codes

| Thread Size (ISO) | Cable Diameter Min - Max | | | | Sealing Ring Colour | Order Unit | Cable Gland | Catalog Number | |
|-------------------|--------------------------|----|----|----|---------------------|------------|-------------|----------------|-----------|
| | | A | L | E | | | | Sealing Washer | Locknut |
| M12 | 3.0 - 6.0 | 15 | 18 | 8 | | 20 | CAP439120 | CAP221249 | CAP261273 |
| M16 | 4.0 - 8.0 | 19 | 22 | 8 | Yellow | 20 | CAP439160 | CAP221649 | CAP261673 |
| M16 Bis | 5.0 - 10.0 | 22 | 22 | 8 | Orange | 20 | CAP439170 | CAP221649 | CAP261673 |
| M20 | 7.5 - 13.0 | 24 | 23 | 9 | Red | 20 | CAP439200 | CAP222049 | CAP262073 |
| M20 Bis | 9.5 - 15.0 | 26 | 23 | 9 | Green | 20 | CAP439210 | CAP222049 | CAP262073 |
| M25 | 13.0 - 19.0 | 32 | 29 | 11 | Blue | 20 | CAP439250 | CAP222549 | CAP262573 |
| M32 | 15.0 - 25.0 | 41 | 29 | 11 | | 10 | CAP439320 | CAP223249 | CAP263273 |
| M40 | 21.0 - 32.0 | 52 | 35 | 13 | | 1 | CAP439400 | CAP224049 | CAP264073 |
| M50 | 26.0 - 38.0 | 59 | 40 | 13 | | 1 | CAP439500 | CAP225049 | CAP265073 |
| M63 | 31.0 - 44.0 | 65 | 42 | 14 | | 1 | CAP439630 | CAP226349 | CAP266373 |

| Thread Size (Pg) | Cable Diameter Min - Max | | | | Sealing Ring Colour | Order Unit | Cable Gland | Catalog Number | |
|------------------|--------------------------|----|----|----|---------------------|------------|-------------|----------------|-----------|
| | | A | L | E | | | | Sealing Washer | Locknut |
| Pg7 | 3.0 - 6.0 | 15 | 18 | 8 | | 20 | CAP430070 | CAP240749 | CAP260770 |
| Pg9 | 4.0 - 8.0 | 19 | 22 | 8 | Yellow | 20 | CAP430090 | CAP240949 | CAP260970 |
| Pg11 | 5.0 - 10.0 | 22 | 22 | 8 | Orange | 20 | CAP430110 | CAP241149 | CAP261170 |
| Pg13 | 7.5 - 13.0 | 24 | 23 | 9 | Red | 20 | CAP430130 | CAP241349 | CAP261370 |
| Pg16 | 9.5 - 15.0 | 26 | 23 | 9 | Green | 20 | CAP430160 | CAP241649 | CAP261670 |
| Pg21 | 13.0 - 19.0 | 32 | 29 | 11 | Blue | 20 | CAP430210 | CAP242149 | CAP262170 |
| Pg29 | 15.0 - 25.0 | 41 | 29 | 11 | | 10 | CAP430290 | CAP242949 | CAP262970 |
| Pg36 | 21.0 - 32.0 | 52 | 35 | 13 | | 10 | CAP430360 | CAP243649 | CAP263670 |
| Pg42 | 26.0 - 38.0 | 59 | 40 | 13 | | 1 | CAP430420 | CAP244249 | CAP264270 |
| Pg48 DIN | 31.0 - 44.0 | 65 | 42 | 14 | | 1 | CAP437480 | CAP244849 | CAP264878 |
| N°48 NFC | 31.0 - 44.0 | 65 | 42 | 13 | | 1 | CAP430480 | CAP244849 | CAP264870 |

PVC reducing ring for cable glands

| Gland Size | Pg | Pg | Cable Diameter | | Order Unit | Catalog Number |
|------------|----------|------|----------------|------|------------|----------------|
| | | | Min | Max | | |
| 5 | Pg9 | Pg7 | 3.5 | 6.5 | 100 | CAP240735 |
| 6 | Pg11 | Pg9 | 5.5 | 8.7 | 100 | CAP240935 |
| 7 | Pg13 | Pg9 | 5.5 | 8.7 | 100 | CAP241235 |
| 7 | Pg13 | Pg11 | 7.0 | 10.5 | 100 | CAP241135 |
| 8 | Pg16 | Pg9 | 5.5 | 8.7 | 100 | CAP241535 |
| 8 | Pg16 | Pg11 | 7.0 | 10.5 | 100 | CAP241435 |
| 9 | Pg16 | Pg13 | 8.0 | 12.5 | 100 | CAP241335 |
| 9 | Pg21 | Pg16 | 10.0 | 15.0 | 100 | CAP241635 |
| 10 | Pg29 | Pg21 | 14.0 | 19.0 | 50 | CAP242135 |
| 11 | Pg36 | Pg29 | 17.5 | 22.5 | 10 | CAP242935 |
| 12 | Pg42 | Pg36 | 22.0 | 32.5 | 20 | CAP242635 |
| 13 | N°48 NFC | Pg36 | 22.0 | 32.5 | 20 | CAP244735 |

All dimensions in mm.